

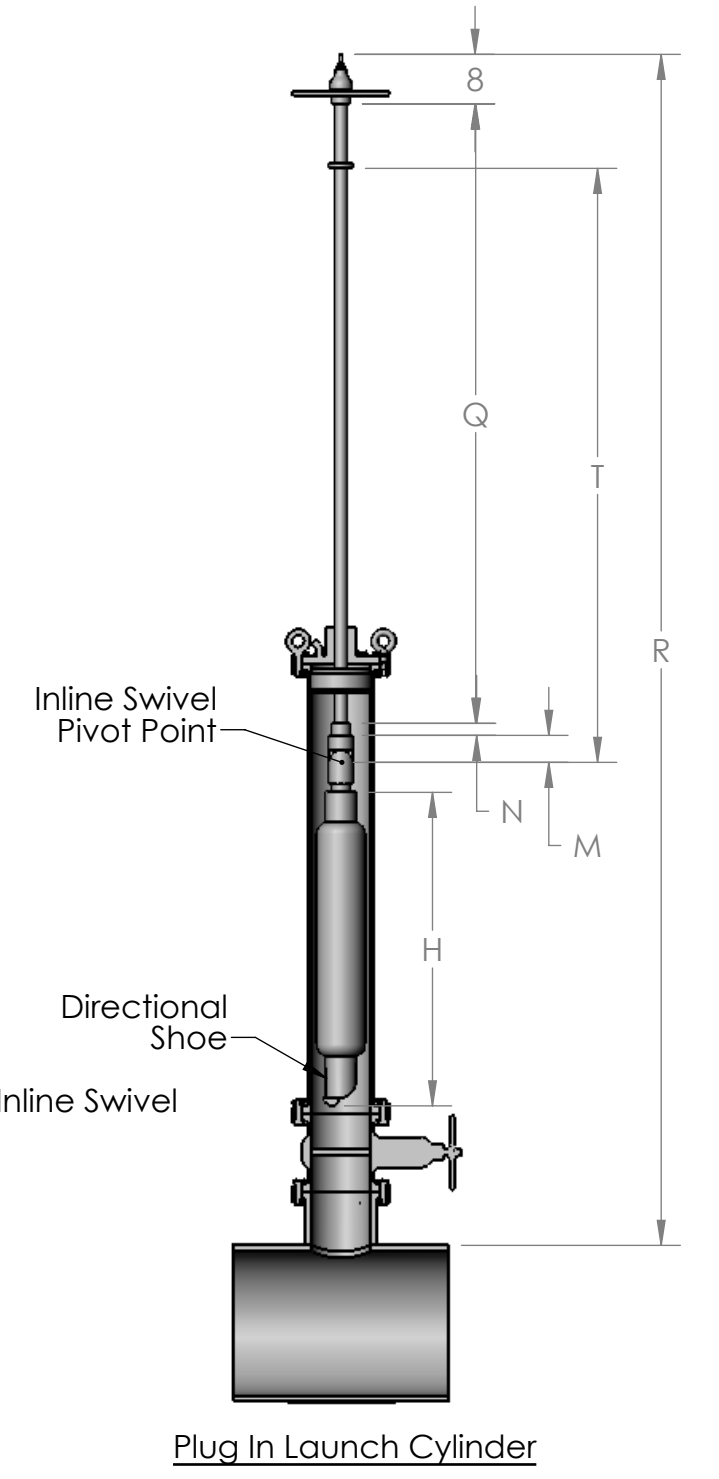
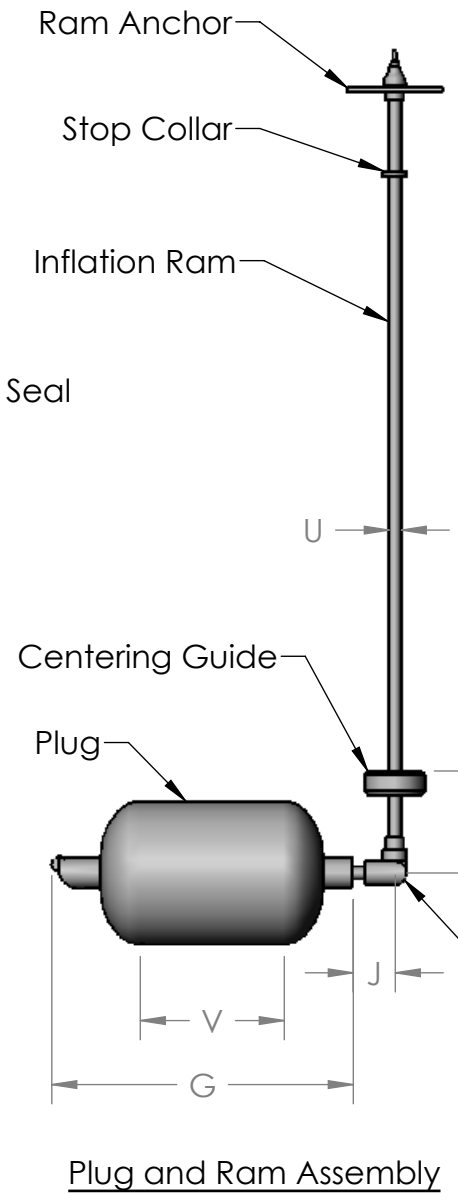
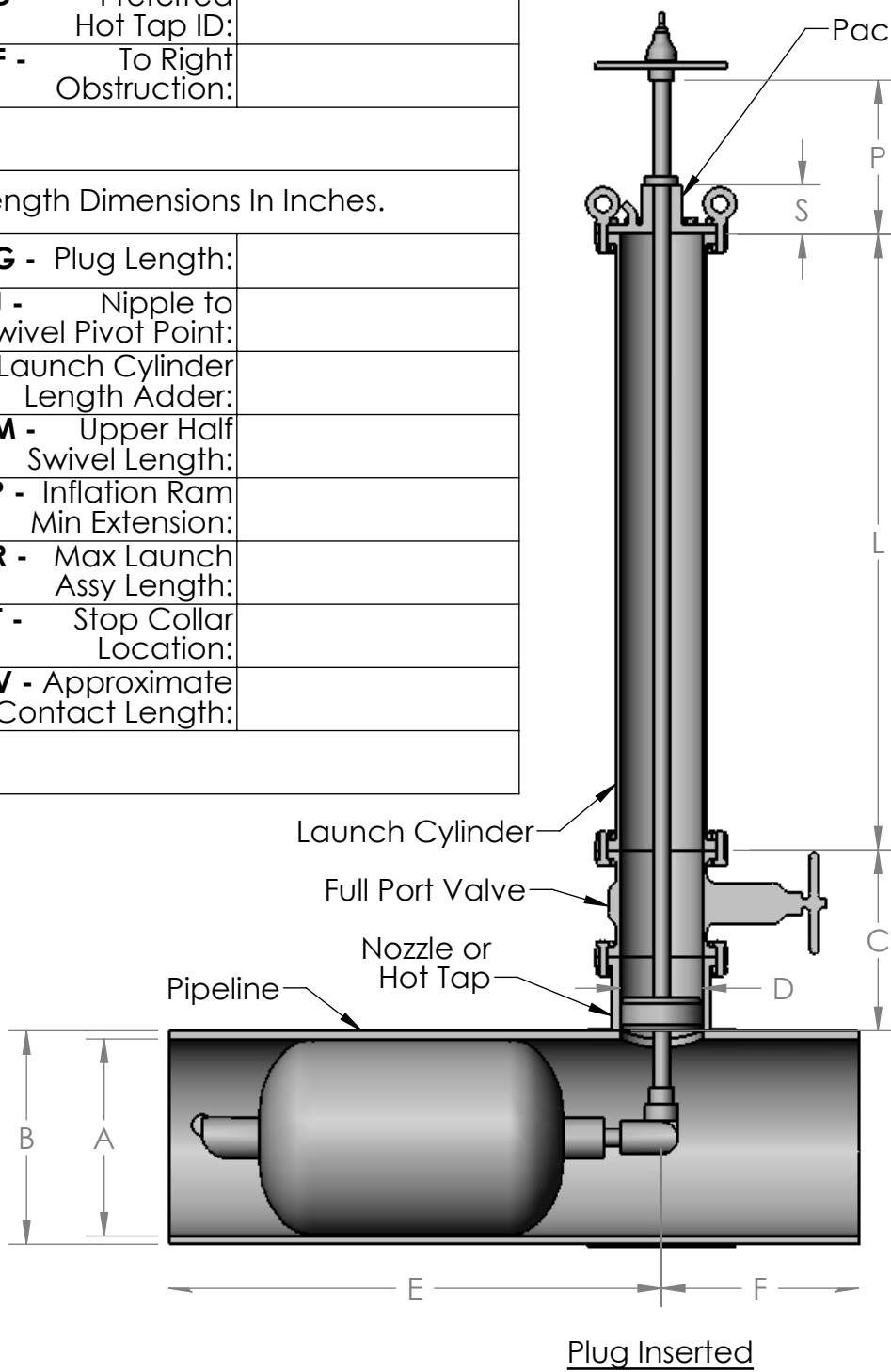
**128-Series Multi-Flex™ Plug Data Sheet**

**Table 1 - Customer Information.** Please Indicate Units Used.

Customer:			
Location:		Date:	
<b>Dim A</b> - Pipeline ID:		<b>Dim B</b> - Pipeline OD:	
Pipeline Class, Schedule, Material:		Pipeline Pressure:	
Pipeline Fluid:		Pipeline Temperature:	
<b>Dim C</b> - Valve Height:		<b>Dim D</b> - Preferred Hot Tap ID:	
<b>Dim E</b> - To Left Obstruction:		<b>Dim F</b> - To Right Obstruction:	
How long will plug be in place?			

**Table 2 - Petersen Specifications.** All Length Dimensions In Inches.

Plug Pressure (psig):	<b>Dim G</b> - Plug Length:
<b>Dim H</b> - Deflated Plug Length:	<b>Dim J</b> - Nipple to Swivel Pivot Point:
<b>Dim K</b> - Swivel Pivot Pt. to Centering Guide:	Launch Cylinder Length Adder:
<b>Dim L</b> - Launch Cylinder Length:	<b>Dim M</b> - Upper Half Swivel Length:
<b>Dim N</b> - Inflation Ram End Length:	<b>Dim P</b> - Inflation Ram Min Extension:
<b>Dim Q</b> - Inflation Ram Length:	<b>Dim R</b> - Max Launch Assy Length:
<b>Dim S</b> - Packing Seal Height:	<b>Dim T</b> - Stop Collar Location:
<b>Dim U</b> - Inflation Ram Dia:	<b>Dim V</b> - Approximate Contact Length:
Required Hot Tap ID:	



<b>DO NOT SCALE DRAWING</b>			<b>PETERSEN PRODUCTS CO. LLC</b>		
UNLESS OTHERWISE SPECIFIED: DIMENSIONS ARE IN INCHES TOLERANCES: ANGULAR: ±.5° X.X ±.02 X.XX ±.01 X.XXX ±.005			MATERIAL:		
PROPRIETARY AND CONFIDENTIAL THE INFORMATION CONTAINED IN THIS DRAWING IS THE SOLE PROPERTY OF PETERSEN PRODUCTS CO. LLC. ANY REPRODUCTION IN PART OR AS A WHOLE WITHOUT THE WRITTEN PERMISSION OF PETERSEN PRODUCTS CO. LLC. IS PROHIBITED.			FINISH:		
DRAWN			TITLE:		128-SERIES MULTI-FLEX™ PLUG DATA SHEET
ENG APPR.			SIZE DWG. NO.		
MFG APPR.			REV		
DATE: 1/31/08			SCALE: 1:22		0
			SHEET 1 OF 1		